

## Stroke Counter with Key Reset Type 312

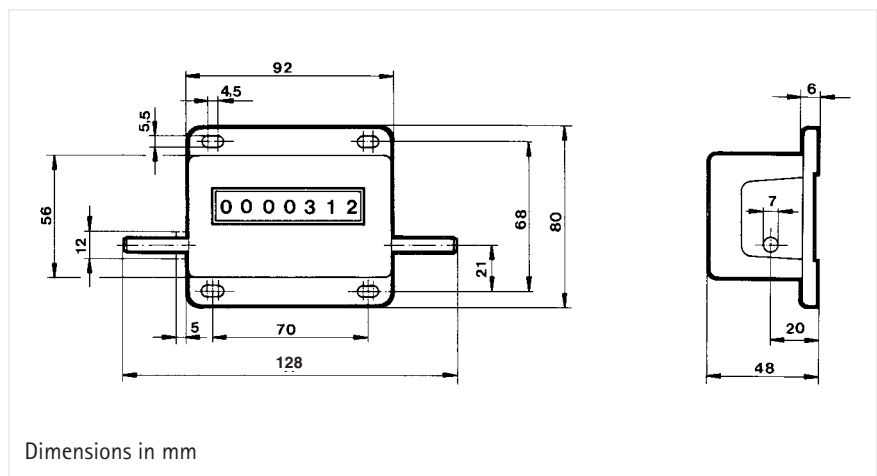


- 7-digit display
- Large 8 mm digits
- With key reset
- Protection class IP 53

### TECHNICAL DATA

|                             |  |
|-----------------------------|--|
| Display                     | 7-digit  |
| Digit height                | 8 mm   |
| Protection class (DIN 4050) | IP 53  |
| Case                        | die-cast zinc, black                                   |
| Cover                       | plastic (ASB), grey                                    |
| Weight                      | approx. 430 g  |
| Counting mode               | + adding in specified direction                        |
| Transmission ratio          | 1:1  |
| Max. stroke rate            | 500 strokes/min  |
| Torque                      | 8.6 Ncm  |
| Actuation angle             | BZ: min. 28°, max. 37°; BW: min. 33° 30', max. 38° 30' |
| Reset                       | manual reset with removable key on either side         |
| ⚠                           | Don't push the reset pushbutton during the process     |

### DIMENSIONS



### ORDER INFORMATION

| Actuation | Sense of rotation | Ordering code |
|-----------|-------------------|---------------|
| ☐         | Bz                | 0 312 001     |
| ☐         | Bw                | 0 312 002     |

Stroke lever ordering code 0 600 005  
For other stroke lever see accessories

Inquire for other versions